

optional
stainless
steel

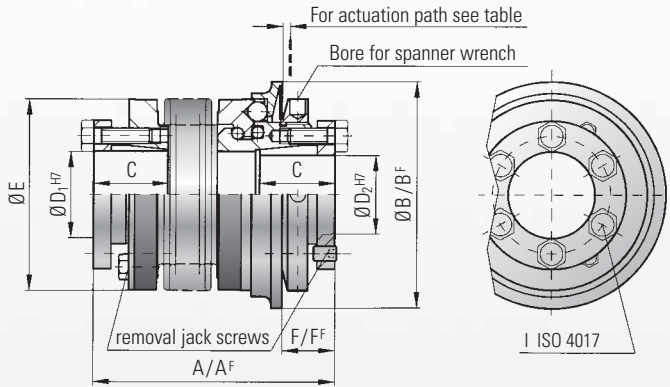
single-position
multi-position
load holding
full disengagement



MODEL SK3

BACKLASH FREE TORQUE LIMITER

with tapered clamp connection



Optional sealed version for wash down and foodservice application. See page 16.

Material:

Bellows made of highly elastic stainless steel
Torque limiter: High strength hardened steel.
Hub material: Steel

Design:

With slotted tapered conical sleeves and removal jack screws

Temperature range:

-30° C to +120° C

Backlash:

Absolutely backlash free as a result of the frictional clamp connection and the patented R+W principle

Service life:

These coupling are maintenance free and have extreme service life as long as the performance limits are not exceeded.

Fit tolerance:

Tolerance between hub and shaft 0.01-0.05 mm

Ordering specifications:

see page 11

Model SK 3	Series																	
	15	30	60	150	200	300	500	800	1500	2500								
Adjustment range available from (approx. values) (Nm)	T_{KN}		5-10 or 8-20	10-25 or 20-40	10-30 or 25-80	20-70 45-150 80-200	30-90 60-160 140-280	100-200 150-240 220-400	80-200 200-350 300-500	400-650 500-800 600-900	650-850 700-1200 1000-1800	1500-2000 2000-2500 2300-2800						
Adjustment range available from (approx. values) (full disengagement) (Nm)	T_{KN}		7-15	8-20 or 16-30	20-40 or 30-60	20-60 40-80 80-150	80-140 or 130-200	120-180 or 160-300	60-150 100-300 250-500	200-400 or 450-800	1000-1250 or 1250-1500	1400-2200 or 1800-2700						
Overall length (mm)	A	62	69	72	80	84	94	93	105	99	111	114	128	123	136	151	175	246
Overall length (full disengagement) (mm)	A ^F	62	69	72	80	84	94	93	105	102	114	117	131	127	140	151	184	252
Actuation ring Ø (mm)	B	55	65	73	92	99	117	120	135	152	174	243						
Actuation ring Ø (full disengagement) (mm)	B ^F	62	70	83	98	117	132	155	177	187	258							
Fit length (mm)	C	19	22	27	32	32	41	41	49	61	80							
Inner diameter from Ø to Ø H7 (mm)	D ₁ /D ₂	10-22	12-23	12-29	15-37	20-44	25-56	25-60	30-60	35-70	50-100							
Outer diameter of coupling (mm)	E	49	55	66	81	90	110	123	133	157	200							
Distance (mm)	F	13	16	18	19	19	23	25	31	30	34							
Distance (full disengagement) (mm)	F ^F	13	14	17	18	17	20	22	20	26	31							
6x ISO 4017	I	M4	M5	M5	M6	M6	M8	M8	M10	M12	M16							
Tightening torque (Nm)	I	4	6	8	12	14	18	25	40	70	120							
Approx. weight (kg)		0.3	0.4	1.2	2.3	3.0	5.0	6.5	9.0	16.3	35							
Moment of inertia (10 ⁻³ kgm ²)	J _{ges}	0.10	0.15	0.28	0.30	0.75	0.80	1.90	2.00	2.80	3.00	5.50	6.00	11.0	12.8	20	42	257
Torsional stiffness (10 ³ Nm/rad)	C _T	20	15	39	28	76	55	175	110	191	140	420	350	510	500	780	1304	3400
Lateral misalignment max. (mm)		0.15	0.20	0.20	0.25	0.20	0.25	0.20	0.25	0.25	0.30	0.25	0.30	0.30	0.35	0.35	0.35	0.35
Angular misalignment max. (degrees)		1	1.5	1	1.5	1	1.5	1	1.5	1.5	2	1.5	2	2	2.5	2.5	2.5	2.5
Lateral spring stiffness (N/mm)		475	137	900	270	1200	380	1550	435	2040	610	3750	1050	2500	840	2000	3600	6070
Actuation path (mm)		1.5	1.5	1.7	1.9	2.2	2.2	2.2	2.2	3	3							

A^F, B^F, F^F = Full disengagement version